
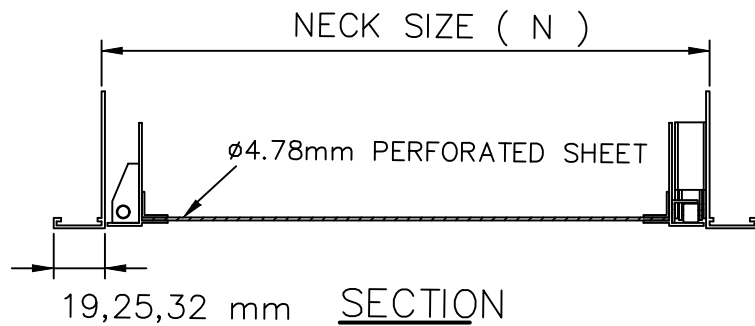
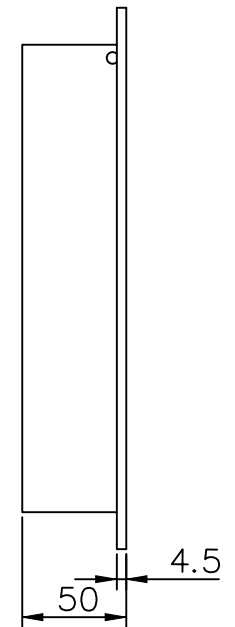
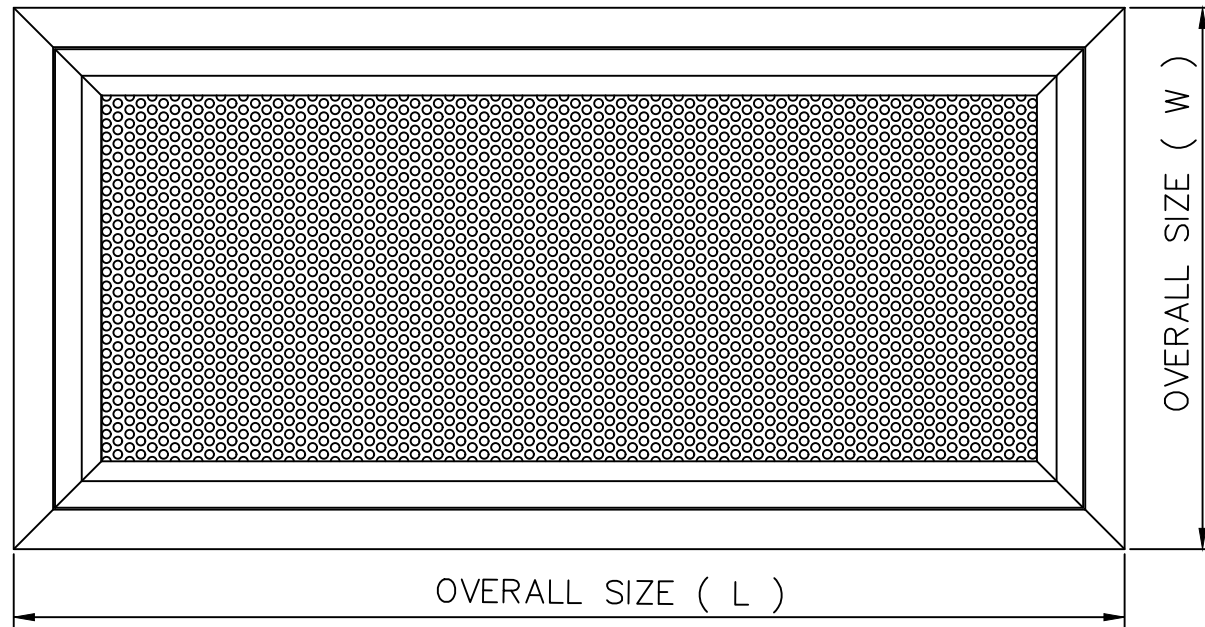



FRAME	NECK SIZE	CEILING OPENING SIZE
( 3/4" ), 19 MM	BASE SIZE - 32 MM	BASE SIZE - 25 MM
( 1" ), 25 MM	BASE SIZE - 44 MM	BASE SIZE - 37 MM
( 1-1/4" ), 32 MM	BASE SIZE - 58 MM	BASE SIZE - 51 MM

 <b>晉福風咀有限公司</b> <b>JANFORD AIR FLOW CO. LTD.</b>					
ALUMINIUM PERFORATED DIFFUSER					
MODEL	APCD	PROJECT			
SCALE	NIL	DRAWN BY	CHEONG	DATE	21/11/2016



FRAME	NECK SIZE	CEILING OPENING SIZE
( 3/4" ), 19 MM	BASE SIZE - 32 MM	BASE SIZE - 25 MM
( 1" ), 25 MM	BASE SIZE - 44 MM	BASE SIZE - 37 MM
( 1-1/4" ), 32 MM	BASE SIZE - 58 MM	BASE SIZE - 51 MM

 <b>晉福風咀有限公司</b> <b>JANFORD AIR FLOW CO. LTD.</b>					
ALUMINIUM HINGED TYPE PERFORATED DIFFUSER					
MODEL	PCD-H	PROJECT			
SCALE	NIL	DRAWN BY	CHEONG	DATE	29/11/2016

**SERIES PCD**  
**RETURN AIR PERFORMANCE DATA**  
**Perforated face Diffuser**  
**600 x 600mm MODULE**

List Size mm	300 x 300	450 x 450	550 x 550
Description			
472 (L/s)			
-S.P (-Pa)	37		
NC	18		
566 (L/s)			
-S.P (-Pa)	52		
NC	25		
661 (L/s)			
-S.P (-Pa)		22	27
NC	30	17	20
755 (L/s)			
-S.P (-Pa)	70	30	35
NC	33	23	24
850 (L/s)			
-S.P (-Pa)	144	45	45
NC	39	32	27
944 (L/s)			
-S.P (-Pa)		55	57
NC		35	30

**SERIES PCD**  
**SUPPLY AIR PERFORMANCE DATA**  
**Perforated face Diffuser**  
**600 x 600mm MODULE**

List Size mm	300 x 300	450 x 450	550 x 550
Description	$A_k$ 0.05	$A_k$ 0.086	$A_k$ 0.097
189 (L/s)	Throw (M) 1.2-2.4	Throw (M) 1.8-3.6	
NC	18	<18	
$P_T$ (Pa)	9	4	
236 (L/s)	Throw (M) 1.5-3	Throw (M) 2.4-4.2	
NC	23	6	
$P_T$ (Pa)	15		
283 (L/s)	Throw (M) 1.8-3.6	Throw (M) 3-4.8	Throw (M) 3.6-5.5
NC	34	<18	<18
$P_T$ (Pa)	20	8	11
378(L/s)	Throw (M) 2.4-4.2	Throw (M) 3.6-5.5	Throw (M) 4.3-6
NC	43	23	27
$P_T$ (Pa)	37	15	19
472 (L/s)		Throw (M) 4.3-6	Throw (M) 5-6.5
NC		37	35
$P_T$ (Pa)		29	35
566 (L/s)		Throw (M) 4.8-6.7	Throw (M) 5.7-6.7
NC		40	41
$P_T$ (Pa)		42	42

REMARKS : 1) THROW (T) Base on  $V_T$  0.65m/s to 0.25 m/s

$A_k$  - Square meter