

JANFORD AIR FLOW CO., LTD.

LTD LIGHT TROFFER

SADDLE TYPE PERFORMANCE DATA (HORIZONTAL THROW)

For 4"-0" LIGHT FIXTURE (1200MM)

Neck Size	Capacity, CFM (L/s)	125 (59)	150 (71)	175 (83)	200 (94)	250 (118)	300 (142)	350 (165)
6" (152mm) Round A _k 0.189	Projection, FT. (M)	1-1-7 (.3-.3-2.1)	1-3-9 (.3-.9-2.7)	1-3-11 (.3-.9-3.4)	2-4-14 (.6-1.2-4.3)	2-8-19 (.6-2.4-5.8)	-----	-----
	Static Pressure in W.G. (Pa)	0.064 (16)	0.085 (21)	0.116 (29)	0.15 (37)	0.24 (60)	0.335 (83)	0.455 (113)
	NC	<15	17	22	25	32	36	40
8" (203mm) Round A _k 0.172	Projection, FT. (M)	1-2-7 (.3-.6-2.1)	1-3-10 (.3-.9-3)	1-4-11 (.3-1.2-3.4)	3-5-14 (.6-1.5-4.3)	4-8-19 (1.2-2.4-5.8)	-----	-----
	Static Pressure in W.G. (Pa)	0.076 (19)	0.097 (24)	0.1335 (33)	0.17 (42)	0.265 (66)	0.385 (96)	0.518 (129)
	NC	16	21	25	28	34	39	42

SINGLE TYPE PERFORMANCE DATA (HORIZONTAL THROW)

For 4"-0" LIGHT FIXTURE (1200MM)

Neck Size	Capacity, CFM (L/s)	75 (35)	100 (47)	125 (59)	150 (71)	175 (83)	200 (194)	225 (106)
6" (152mm) Round A _k 0.104	Projection, FT. (M)	1-1-4 (.3-.3-1.2)	1-1-5 (.3-.3-1.5)	1-2-7 (.3-.6-2.1)	3-6-11 (.9-1.8-3.4)	4-6-15 (1.2-1.8-4.6)	5-9-20 (1.5-2.7-6)	-----
	Static Pressure in W.G. (Pa)	0.055 (14)	0.095 (24)	0.15 (37)	0.215 (54)	0.295 (73)	0.375 (93)	0.48 (120)
	NC	<15	22	29	33	35	38	42
8" (203mm) Round A _k 0.093	Projection, FT. (M)	1-1-7 (.3-.3-2.1)	3-6-12 (.9-1.8-3.7)	4-9-16 (1.2-2.7-4.9)	5-11-21 (1.5-1.8-6.4)	-----	-----	-----
	Static Pressure in W.G. (Pa)	0.06 (15)	0.106 (26)	0.166 (41)	0.24 (60)	0.322 (80)	0.425 (106)	-----
	NC	<15	22	27	33	36	40	-----

Notes On Performance Data

- 1) Diffusers tested in accordance with ADC 1062 : GRD-84 & ASHRAE 70-1991
- 2) Projection is given in Feet (M) to terminal velocity of 150FPM (0.76m/s), 100FPM (0.5m/s) and 50FPM (0.25m/s). The projection is measured from the diffuser slot.
- 3) Noise Criteria ratings were determined by subtracting 10dB (Room Effect) from the sound power level.
- 4) Sound power level data has reached ambient levels in the test room or is determined by instrument limitations. Actual levels are less than or equal to the levels indicated.
- 5) A_k = Imperial

JANFORD AIR FLOW CO., LTD.

LTD LIGHT TROFFER

SADDLE TYPE PERFORMANCE DATA (HORIZONTAL THROW) For 2'-0" LIGHT FIXTURE (600MM)

Neck Size	Capacity, CFM (L/s)	63 (30)	89 (42)	116 (55)	142 (67)	169 (80)
6" (152mm) Round A _k 0.104	Projection. (M)	1.6-3.2-4.8	2.2-4.2-6.7	2.8-5.6->7	3.5->7->7	4.2-5.7->7
	Static Pressure in W.G.	0.064	0.128	0.208	0.3	0.429
	(Pa)	(16)	(32)	(52)	(75)	(107)
	NC	17	24	31	36	40

Notes On Performance Data

- 1) Diffusers tested in accordance with ASHRAE 70-2006
- 2) Projection is given in (M) to terminal velocity of 150FPM (0.76m/s), 100FPM (0.5m/s) and 50FPM (0.25m/s). The projection is measured from the diffuser slot.
- 3) Noise Criteria ratings were determined by subtracting 10dB (Room Effect) from the sound power level.
- 4) Sound power level data has reached ambient levels in the test room or is determined by instrument limitations. Actual levels are less than or equal to the levels indicated.
- 5) A_k = Imperial

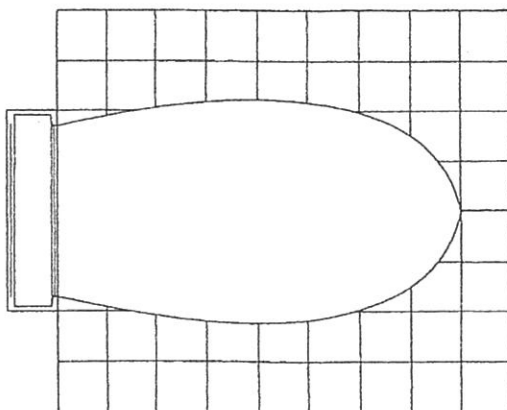
LTD Light Troffer Diffusers

LTD Air Diffusion

The LTD diffusers provide superior horizontal air distribution at low sound levels when interfaced with compatible air handling light fixtures. The LTD series can be factory coordinated to accommodate the normal slot configurations of either surface slot or regressed slot air handling light fixtures.

Model LTD air troffer diffuser has been designed with a curved pattern controller which provides a superior horizontal air pattern, resulting in optimum space air distribution. The horizontal air pattern is ideal for general air conditioning applications. The horizontal air pattern produces the maximum entrainment of room air, generating the air motion required to provide the optimum comfort conditions throughout the occupied zone.

The consistent horizontal air pattern eliminates the need for the installer or balancing contractor to adjust the pattern controller to avoid vertical air discharge. This performance feature eliminates vertical air discharge pattern, the most frequent source of complaint of draft conditions in occupied zones, when field setting of adjustable pattern controllers has been overlooked.



Horizontal Projection — Ceiling View

These diffusers attach quickly and easily to standard fluorescent light troffers. Lighting and air distribution are provided through one ceiling penetration. The air opening is an inconspicuous slot at the edge of the light troffer. The LTD diffusers are compatible with most manufacturer's models of light troffers and are suitable for surface slot and regressed slot applications.

Single Side Model

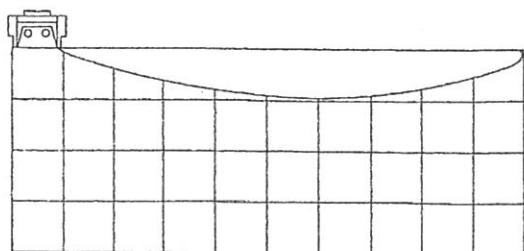
This Model is designed to provide concealed air distribution from one side of a light troffer. The diffuser incorporates curved blade pattern controller, adjustable from the air supply slot, which provides a consistent horizontal air discharge pattern at low sound levels.

Diffusion are available with uninsulated construction, externally insulated and internally insulated.

Saddle Model

This model is designed to provide concealed air distribution from two sides of a light troffer. The diffuser incorporates curved blade pattern controller, adjustable from the air supply slot, which provides a consistent horizontal air discharge pattern at low sound levels. Air pattern controller can be adjusted for trim balancing to equalize the air flow from each side of the diffuser.

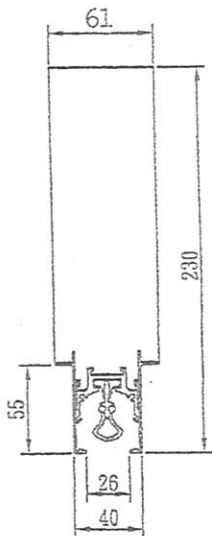
Diffuser are available with uninsulated construction externally insulated and internally insulated.



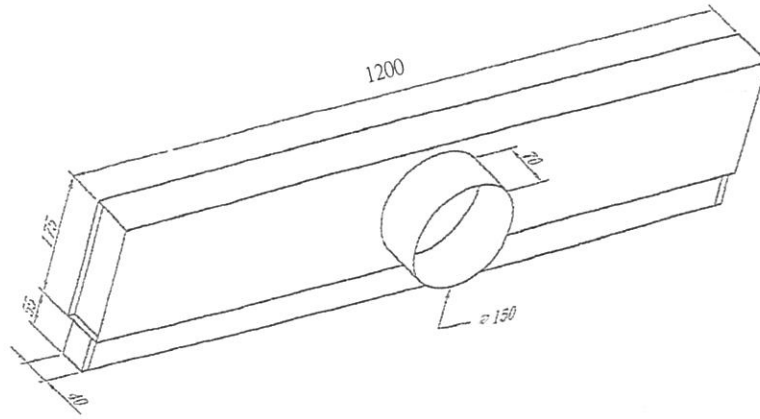
Horizontal Projection — Elevation View

LTD Light Troffer Diffusers

Single Side Diffusers

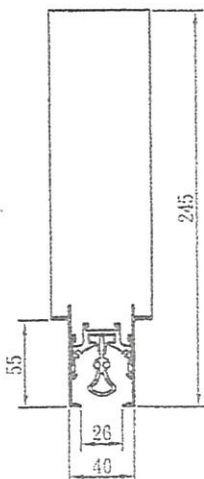


SECTION

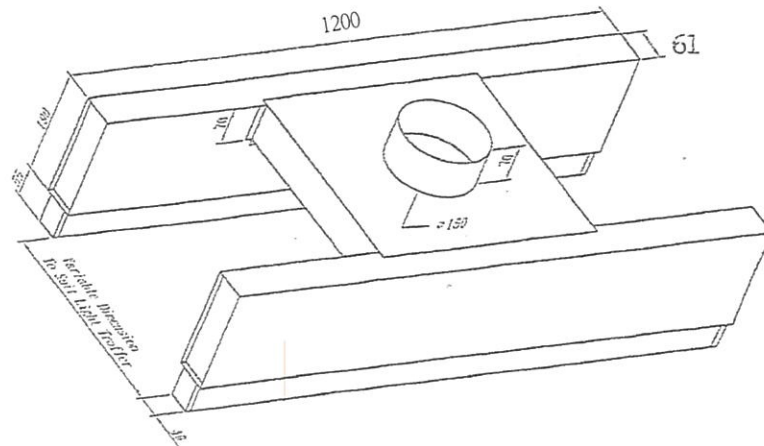


1. Material & Finish : 0.6mm thickness galvanize steel diffuser boot, black anodized aluminium finish diffuser & deflector vane.
2. Insulation : external / internal insulation on request.
3. Dimension : all dimension can change up to customers request.

Saddle Type Diffusers



SECTION



1. Material & Finish : 0.6mm thickness galvanize steel diffuser boot, black anodized aluminium finish diffuser & deflector vane.
2. Insulation : external / internal insulation on request.
3. Dimension : all dimension can change up to customers request.